

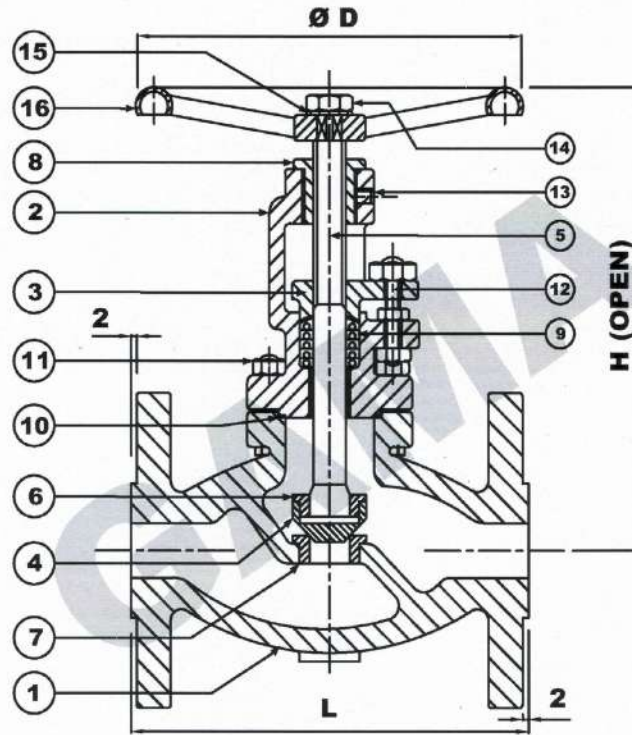


# CAST GLOBE VALVES



## GAMA ENGINEERING WORKS

OUR QUALITY BUILDS CUSTOMERS CONFIDENCE & RELATIONS.



SIZE IN M.M.	L		H	Ø D
	CL - 150	CL - 300	OPEN	
15	108	152	200	120
20	117.5	178	230	120
25	127	203	230	150
40	165.1	229	310	180
50	203.2	267	325	180
80	241.3	318	440	225
100	292.1	356	560	300
150	406.4	445	640	360

SR. NO.	DESCRIPTION	MATERIAL
1	BODY	C.S. / CF 8 / CF 8M
2	BONNET	C.S. / CF 8 / CF 8M
3	GLAND	C.S. / CF 8 / CF 8M
4	DISC	C.S. / CF 8 / CF 8M
5	SPINDLE	410 / 304 / 316
6	DISC NUT	410 / 304 / 316
7	R SEAT (BODY)	410 / 304 / 316
8	YOKE BUSH	SGI / G.M.
9	GLAND PACKING	Graphite
10	BODY GASKET	Graphite
11	STUD & NUT	B7 & 2H
12	GLAND STUD & NUT	M.S. / 304 / 316
13	GRUB SCREW	M.S. / S.S.
14	WHEEL NUT	M.S. / S.S.
15	WHEEL NUT WASHER	M.S. / S.S.
16	WHEEL	SGI / CI.

HYDROSTATIC TEST PRESSURE - P.S.I.		
	SERIES . 150	SERIES . 300
BODY	450	1100
SEAT	325	750

TECHNICAL DATA:	
DESIGN STD.	BS : 1873
RATING	150# TO 300#
END CONNECTION	ANSI B 16.5 OR BS : 1560
FACE TO FACE	ANSI B 16 : 10



## GAMA ENGINEERING WORKS



**OUR QUALITY BUILDS CUSTOMERS CONFIDENCE & RELATIONS.**  
**AN ISO 9001:2015 Certified Company.**

49/98, Ashokpura, O/s. Shahpur Gate, Dudheshwar Road, Ahmedabad-380004.

Ph. (0) 079 - 25622479 | Web : [www.gewvalves.com](http://www.gewvalves.com) | E-mail : [sales.gewvalves@gmail.com](mailto:sales.gewvalves@gmail.com)

**GLOBE VALVES**

**Size : 15mm to 150mm Class 150 #**

NOTES: 1.) OTHER MATERIAL LIKE ASTM A 351 Gr. CF 3/CF 3M, HASTEALLOY 'C', (DUPLEX SS) ASTM A 890 Gr. 4A, 5A, 6A ARE ALSO AVAILABLE.  
 2.) DEVELOPMENT IS CONTINUE, HENCE SPECIFICATION ARE SUBJECT TO CHANGE AT ANY TIME WITHOUT NOTICE.