

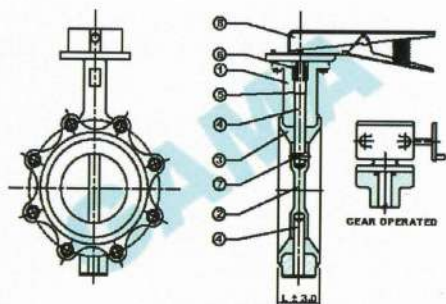


# CAST BUTTERFLY VALVES

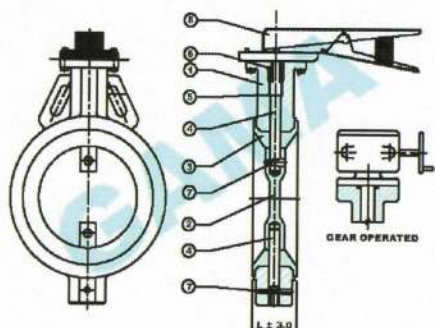


## GAMA ENGINEERING WORKS

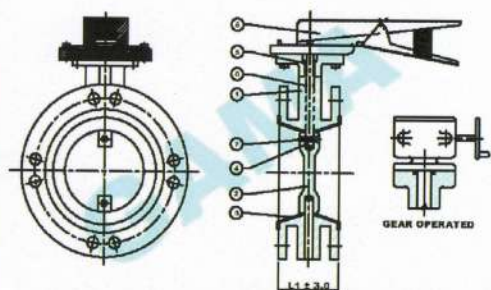
OUR QUALITY BUILDS CUSTOMERS CONFIDENCE & RELATIONS.



**LUG TYPE BUTTERFLY VALVE**



**WAFER TYPE BUTTERFLY VALVE**



**DOUBLE FLANGE TYPE BUTTERFLY VALVE**

Size	IN MM	L	L1
1 1/2"	40 NB	42	-
2"	50 NB	43	108
2 1/2"	65 NB	46	112
3"	80 NB	46	114
4"	100 NB	52	127
5"	125 NB	56	140
6"	150 NB	56	140
8"	200 NB	60	152
10"	250 NB	68	203
12"	300 NB	78	242
14"	350 NB	95	256
16"	400 NB	95	216
18"	450 NB	115	222
20"	500 NB	125	229
24"	600 NB	154	267
28"	700 NB	225	292

**TEST PRESSURE AS PER PN 6/10/16 - Kg/Cm<sup>2</sup>**

TESTING	BODY	SEAT
HYDRAULIC	09 / 15 / 24	06 / 11 / 18
PNEUMATIC	-	07

**TECHNICAL DATA:**

Manufacturing Std	BS 5155 / AWWA C 509
Face to Face	BS 5155 / AWWA C 509
End Connection	WAFER / LUG TO SUIT 150#
Inspection & Testing Std.	BS 6755. PART-1 / API 598

SR NO.	QTY.	DESCRIPTION	MATERIAL
1	1	BODY	C.I. / D.I. / C.S. / CF 8 / CF 8M
2	1	DISC	C.I. / D.I. / C.S. / CF 8 / CF 8M
3	1	SEAT	NITRIL / EPDM / VITON / SILICON MOULDED
4	2	SHAFT	AISI SS410 / 304 / 316
5	1	BEARING BUSH	GUN METAL / PTFE (IF REQUIRED)
6	1	O RING SHAFT	NITRILE / EPDM
7	2	TAPER PIN	S.S.
8	1	LEVER	MILD STEEL / STAINLESS STEEL
9	1	GEAR	CAST IRON



# GAMA ENGINEERING WORKS



**OUR QUALITY BUILDS CUSTOMERS CONFIDENCE & RELATIONS.**  
AN ISO 9001:2015 Certified Company.

49/98, Ashokpura, O/s. Shahpur Gate, Dudheshwar Road, Ahmedabad-380004.  
Ph. (0) 079 - 25622479 | Web : [www.gewvalves.com](http://www.gewvalves.com) | E-mail : [sales.gewvalves@gmail.com](mailto:sales.gewvalves@gmail.com)

**BUTTERFLY VALVES** Size : 25mm to 700mm Class PN-06,10,16,25

NOTES : 1.) OTHER MATERIAL LIKE ASTM A 351 Gr. CF 3/CF 3M, HASTEALLOY 'C', (DUPLEX SS )ASTMA 890 Gr. 4A,5A,6AARE ALSO AVAILABLE.  
2.) DEVELOPMENT IS CONTINUE, HENCE SPECIFICATION ARE SUBJECT TO CHANGE AT ANY TIME WITHOUT NOTICE.